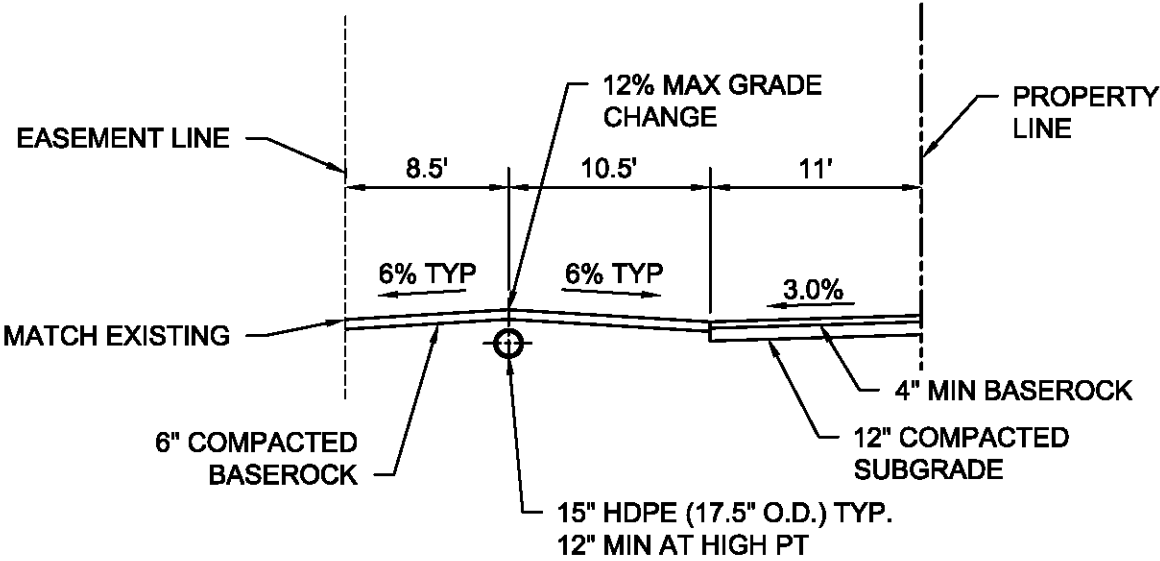
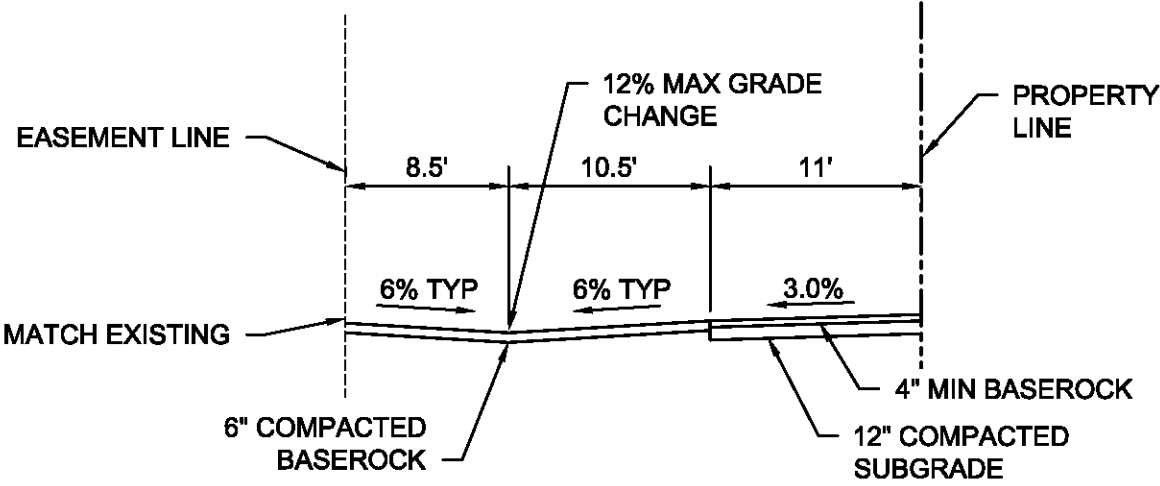


# ITID GUIDANCE - 60' EASEMENT

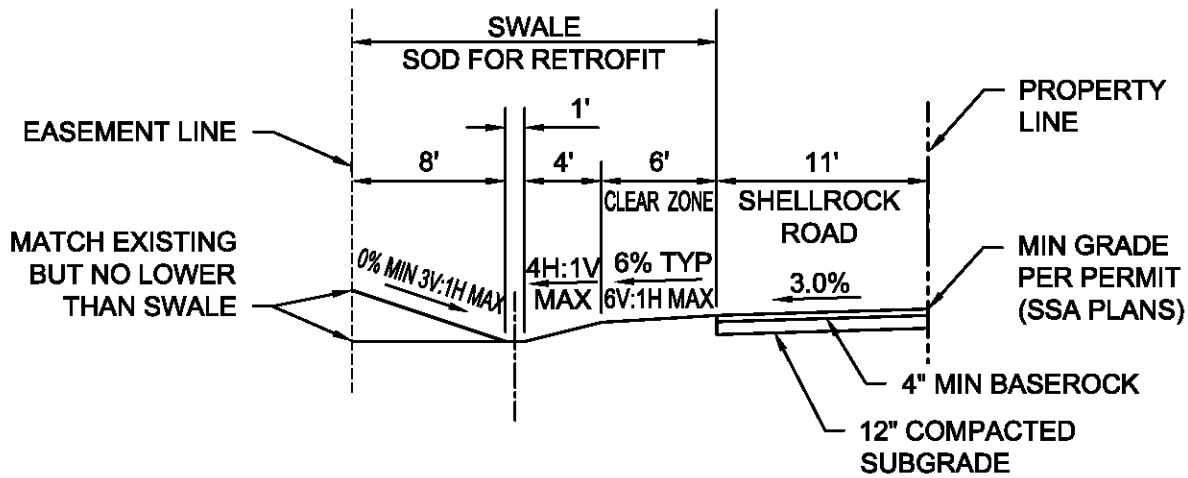


TYPICAL DRIVE CROSSING  
CULVERT SECTION

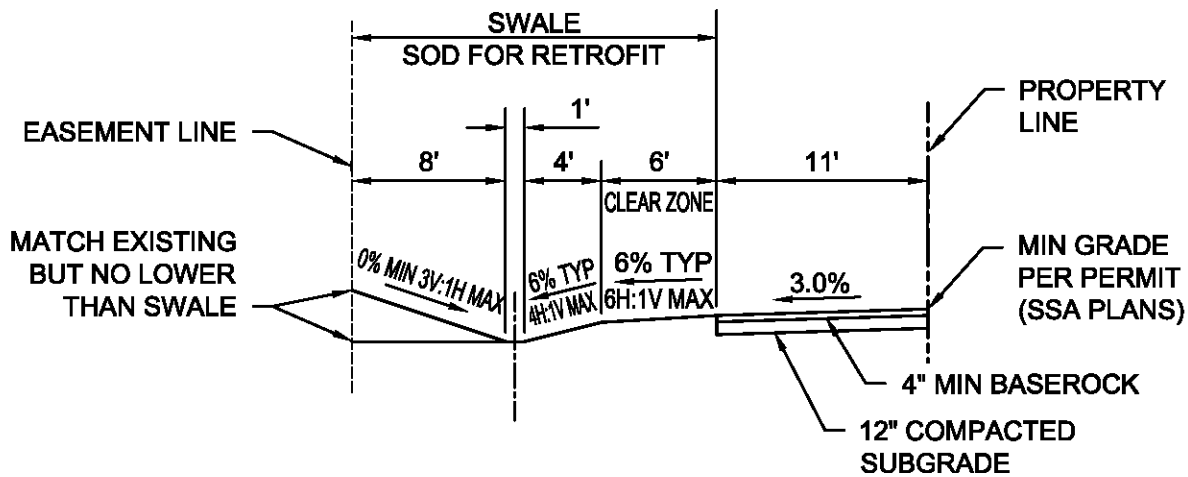


TYPICAL DRIVE CROSSING  
SWALE SECTION

# ITID GUIDANCE - 60' EASEMENT



**ROAD DETAIL 'A'**  
LOW POINT



**ROAD DETAIL 'B'**  
HIGH POINT